

Professional Ovens

Boccalarga Series

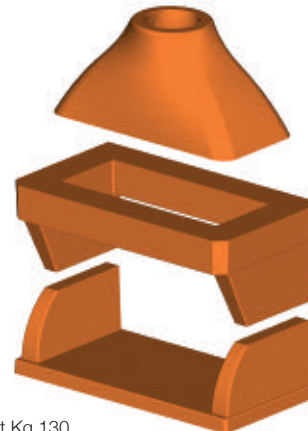
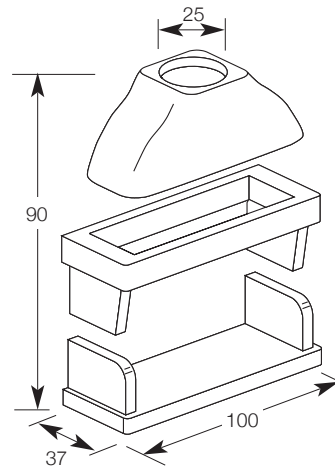


A large mouth oven for unlimited cooking experience

Ideal for easy access and large trays.
A thermometer comes embedded in the arch of the oven.

Optional

Front section for Boccalarga
con Flue diam. cm 25



Weight Kg 130

Boccalarga 110



Internal diameter	ø cm 110
Width	cm 126
Depth	cm 157
Weight	Kg 330
Pizza Capacity	6
Bread Capacity	Kg 12

